

Product: EXECUTIVE DESKS

P016 range of products includes also executive desks, characterized by a die-cast Aluminium bearing structure, either in varnished version or Luxury and 25 mm thick veneered or laminated panels.

It can be equipped with a service unite, available in different dimensions, with cables management, on request.



TECHNICAL FEATURES

Leg and extrusion connector:

The leg consists of a symmetrical couple of die-cast solid profiles connected each other by an elliptical extrusion.

Legs have adjustable feet with non-slip rubber caps for support. They are available in the following finishes: Glossy White Snow, Titanio, Chromed.

Elliptical extrusion connector available in the same finishes as the legs.

Under-top support structures:

40x20 mm Steel profiles, th. 2 mm, WHITE varnished (for Glossy White Snow legs structure) or TITANIO varnished (for Titanio or Chromed legs structure).

Structure junctions and connection elements:

Not visible, in die-cast Aluminium.

Tops:

G90 tops: tops are made in 25 mm thick (1") chipboard panels with antiscratch and anti-reflect melamine surfaces; tops are edged in 2,5 mm thick PVC. Tops are also available in Laminated finish. Corners are at 90° for Melamine and for Laminate tops.

Ergo tops: tops are made in 25 mm thick (1") chipboard panels with antiscratch and anti-reflect melamine surfaces; tops are edged in 2,5 mm thick PVC with rounded corners. Top available in White Snow, Fenix Laminated and Veneer finish. Worktop corners in Ergo Laminate are rounded (radius 50).

Electrification:

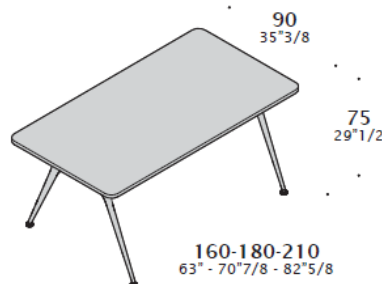
Under-top Steel mesh with round section, WHITE varnished (for Glossy White Snow legs structure) or TITANIO varnished (for Titanio or Chromed legs structure).

CERTIFICATIONS

UNI EN 527-1 Dimensions requirements

UNI EN 527-2 Safety, strenght and durability requirements

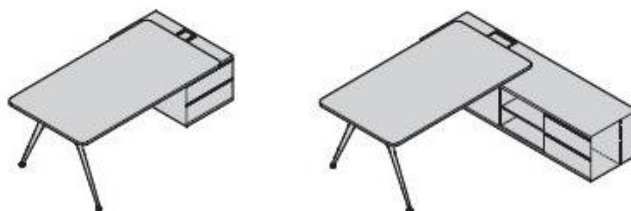
EXECUTIVE SINGLE DESK



Options:

- H75 + W160 + D90
- H75 + W180 + D90
- H75 + W210 + D90

EXECUTIVE DESK WITH SERVICE UNIT



Same dimensions as the picture above.
The 210x90 version is not available with service unit.

FINISHES

Tops:

Ergo Laminate: White Snow, White Fenix and Wood veneer.

Service units:

Veneer: Magnolia, Colour White Fir, Nuvola stained Oak, Natural Oak 2016, American Walnut, Eucalyptus, Wengè, Zebrano Brown, Ebano.

Structures: Glossy White Snow, matt Titanio, Chromed.

Modesty panel: Smart Office - Fabric cat. B, F, G, L.

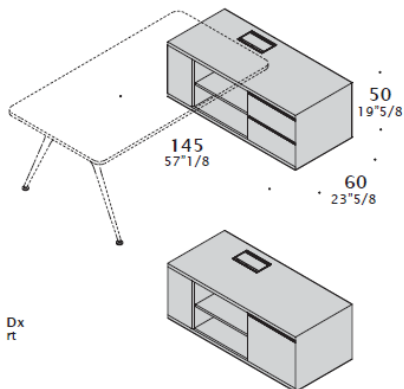
SERVICE UNITS

All service units for executive desk are available in the following versions:

- with 2 drawers;
- with 1 drawer + 1 drawer cabinet.

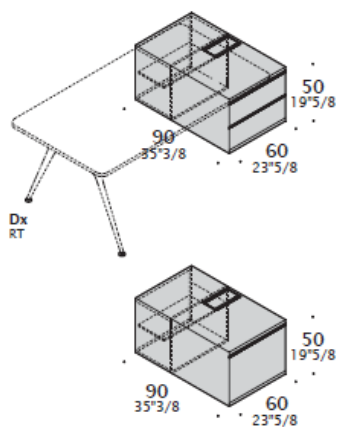
90, 145, 205 cm service units have an open front compartment in the visitor side.

W 145 cm (57"1/8)

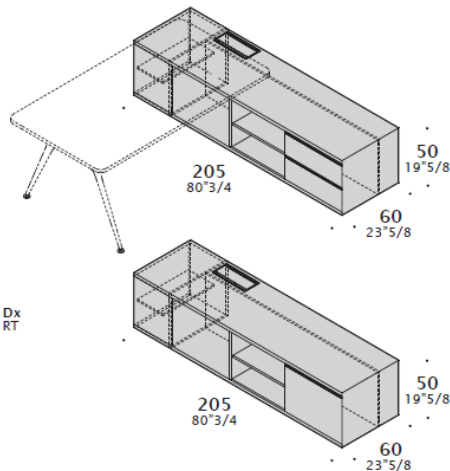


145x60
service unit.

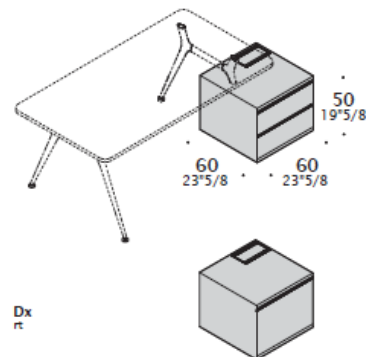
H 50 cm (19"5/8)



90x60
service unit.



205x60
service unit.



60x60
service unit.